



V8-S FLASHLIGHT

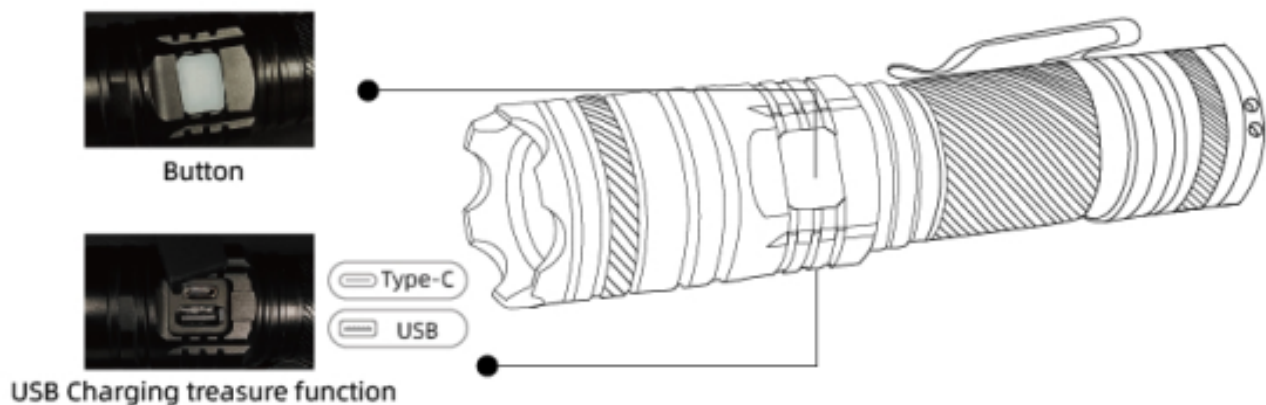
INSTRUCTION MANUAL



WARNING:

1. Do not shine directly in the eyes, the powerful LED light will damage the eyes immediately.
2. If the battery is not used for a long time, please charge and discharge it every 3 months to keep the battery in good condition.
3. It is normal to use the lights for a long time to heat up.
4. When the indicator light shows low power, please charge the battery as soon as possible.
5. Please keep the battery away from water, moisture and drop etc.
6. To avoid damage to the surface of the flashlight, please do not expose the flashlight to sunlight, water, chemicals, corrosive gases or any other oxidizing environment frequently.
7. Before use, please tear off the transparent film on the battery surface before use.

INSTRUCTIONS FOR USE



1. Normal Modes: Press the switch button to turn on the light source, and continue to press the mode (low light-medium light-strong light-strobe-SOS-off) to cycle in sequence. Press and hold any mode for 2s to close;
2. Zoom Modes: Focusing and floodlight functions of the flashlight can be performed by adjusting the focus by extending the head.
3. When charging, the red indicator light flashes; when fully charged, the blue indicator light is always on.

PRODUCT PARAMATERS

Model	V8-S	Power	36w
Charging ways	Type-C	Weight	205G
Battery	26650	Size	159*40*35mm
Mode	Low Light-Medium Light-Strong Light-Strobe-SOS-Off		

APPLICATION SCENARIO



Camping



Mountaineering



Capture



GO fishing



Rock climbing



Cycling



Motion



Construction



Explore



Repair

Warranty card

User name: _____

Phone number: _____

E-mail: _____

Address: _____

Other Contacts: _____

Release Date: _____